

Davidoff

COLLECTION

Davidoff



DAVIDOFF LIGHTER

Congratulations on your purchase of a Davidoff lighter. This lighter represents the latest in high technology and has been designed and manufactured on the basis of vast experience in the field of lighter-technology. Each Davidoff lighter is released into the market after a strict quality inspection and function control and is marked with a serial number which makes its authenticity indisputable.

PLEASE READ THE FOLLOWING INSTRUCTIONS CAREFULLY BEFORE USING YOUR LIGHTER.

DAVIDOFF THE GOOD LIFE

To fill one's life with pleasure, to surround oneself with quality and to occasionally indulge in pure luxury is the personification of THE GOOD LIFE. Synonymous with this lifestyle is Davidoff – for those obsessed with quality.

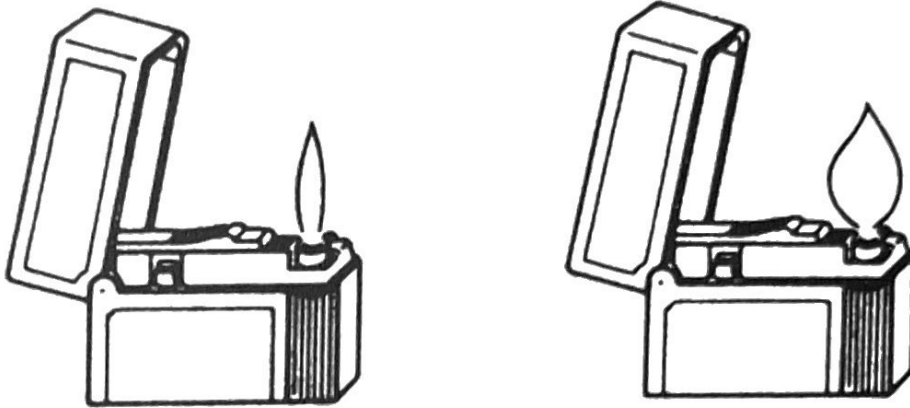
DAVIDOFF ...LE SUMMUM

Only the best ...Le Summum. This philosophy, the essence of a quality product is strongly linked to one name: Davidoff. To the connoisseur, a Davidoff cigar is the epitome of an exclusive culture. One in which pleasure is passion. Pleasure in the form of a cigar made of the highest quality. Personality can be reflected in accessories. This is the philosophy at Davidoff.

Davidoff Lighters offer the latest level in technology.
Exclusively made by S.T.Dupont, Paris.

A special burner for cigars

To meet all requirements of perfect lighting, the Davidoff lighter is fitted with a special burner for cigars. This burner is equipped with two opposed gas jets providing a wider fan-shaped flame.



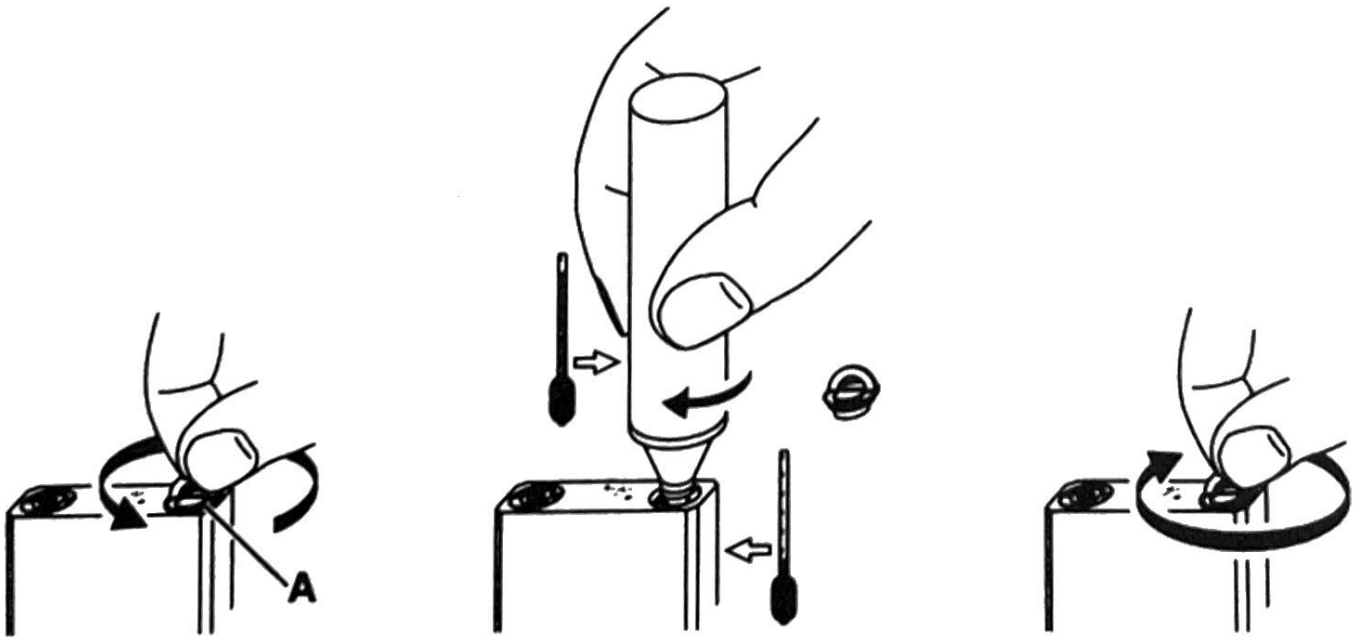
DAVIDOFF – LIGHT UP IN STYLE

A cigar should be lit with patience – not too hastily, not too slowly but evenly. A short flame is perfect for the job. Hold the open cigar end about 1 cm / ½ inch above the flame and rotate the cigar until you achieve an even glow. Now you may take the cigar in your mouth and enjoy the first draw.

DIRECTIONS FOR USE

To refill your lighter

- Loosen the screw «A» .
- Empty the gas tank by pressing the valve head (e.g. by means of a pencil).
- As filling is accomplished by a difference in pressure, warm the S.T. Dupont gas ampulla YELLOW DUPONGAZ refill in your hand and ensure that the lighter has been kept away from all sources of heat (the difference in temperature will facilitate swift refilling).
- Screw the refill tube into the base of the lighter without using undue force. The transparent body of the refill will enable you to see when refilling has been completed.

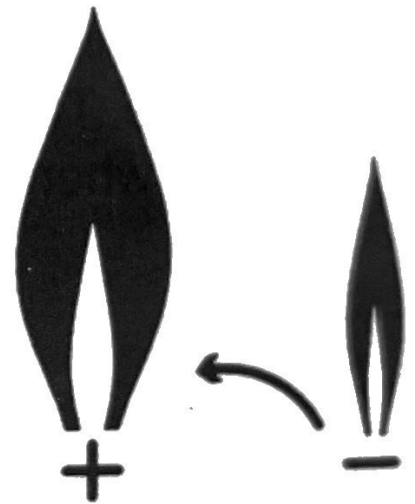
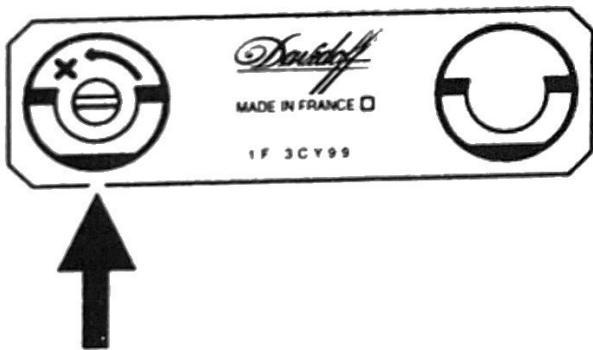


Warning: Never carry out this operation close to a naked flame!

Regulating the flame

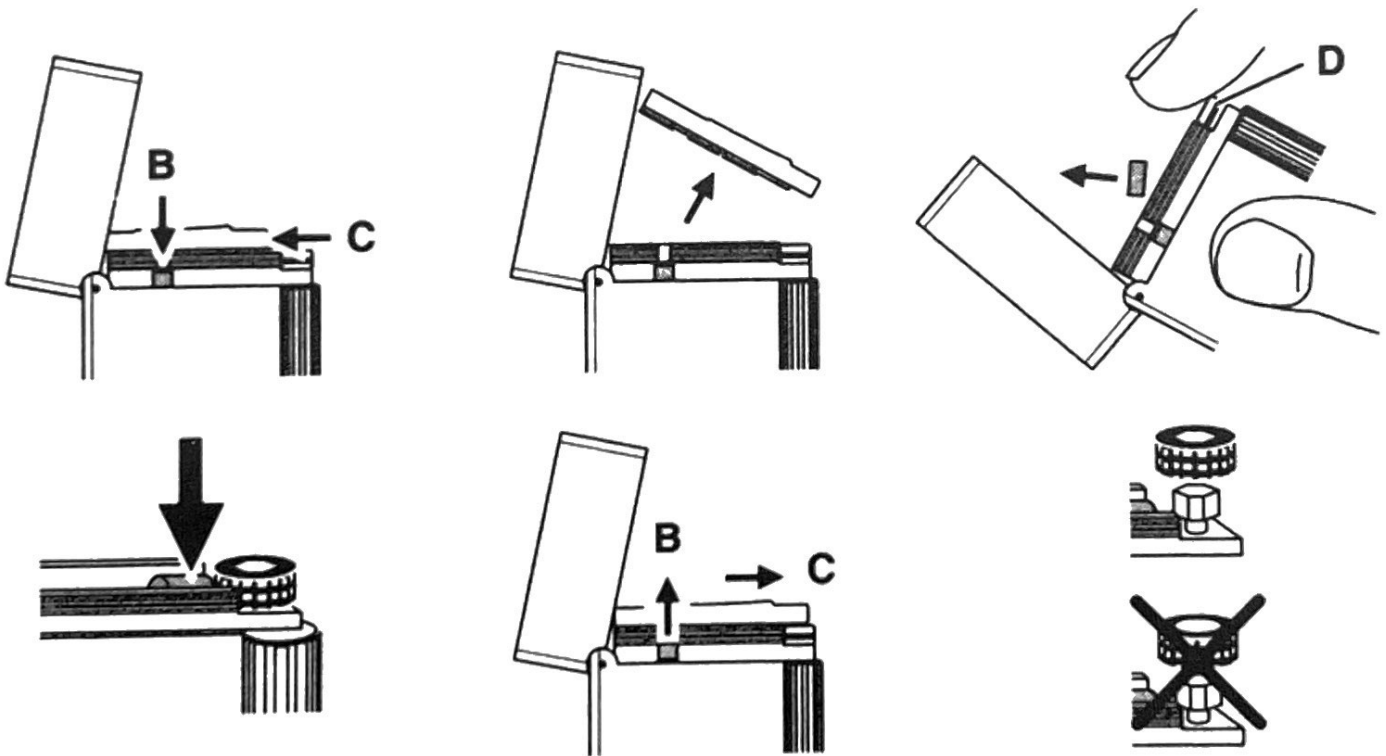
- The flame adjustment button is to be found at the base of the lighter.
- To increase the height of the flame, the button should be moved towards the + sign.
- To reduce the flame, the button should be moved in the opposite direction.

The higher the flame, the faster the gas consumption; the gas will escape as long as the lid is left open!



Changing the flint

- Depress the pin «**B**» with your fingernail.
- Push the slider «**C**» towards the initial position and remove it gently in an upwards direction.
- Take the reserve flint from its holder by holding the lighter at a slight angle with the burner valve facing downwards and keeping your finger against the flintwheel «**D**». Then replace the reserve flint.



- Put the flint into the channel against the flintwheel. Replace the slider «**C**» pushing it forward with your index finger. The pin «**B**» should now go back to its initial position.

Important: Should the flintwheel fall out, make sure to put it back with the angled face upwards.

SAFETY INSTRUCTIONS

- Keep the lighter out of the reach of children!
- Your lighter contains pressurised flammable liquid – use with caution.
- Never expose to temperatures exceeding 50°C/120°F or sunlight over a long period of time.
- Do not fill it near a naked flame. Hold away from your face and clothing when lighting, adjusting or filling.
- Never open or burn gas ampullas.
- Do not adjust the lighter except by using the mechanisms designed for this purpose.
- For any additional adjustments to the flame, consult your Davidoff retailer.
- Only use gas ampulla refills from S.T. Dupont.
- Close the lighter lid to extinguish the flame.

LOOKING AFTER YOUR DAVIDOFF LIGHTER

To keep your lighter looking like new, polish it with a soft cloth (never use solvent-based products). Use a special silver-cleaning cloth for all the silver-plated areas.

Clean any areas in Chinese lacquer as you would spectacles lenses or jewellery by breathing on it and buffing it with a soft cloth. Lacquer is virtually impervious to attack even from acid and water. It is exceptionally hard-wearing and highly resistant to knocks, scuffs and scratches.



GUARANTEE (SEE GUARANTEE CARD ATTACHED)

Your Davidoff lighter is fully guaranteed for two years from its date of purchase, subject to normal use and adherence to instructions provided by Davidoff. Liability for revision is accepted by Davidoff (parts and labour) during this period provided:

- the lighter has not suffered accidental damage such as a knock, immersion in water, etc., inappropriate use or insufficient care (dirt, etc.),
- the lighter has not been dismantled,
- the lighter has not been altered in any way whatsoever compared to the original product,
- the lighter has not been serviced by third parties who are not certified by Davidoff or its representatives.

This guarantee does not affect your statutory rights covered by legal guarantees concerning flaws or hidden defects currently in force.

Should a repair be necessary, please contact the Service Centre in your country (see list) and post the lighter including the guarantee card filled with your name, address and purchase date.

N. B. Davidoff will not be held responsible for any repair, damage or loss when alterations or additions for aesthetic or any other reasons have been carried out by a third party.